



 **SCHENCK**

***pasio***<sup>50</sup>

 **SafeControl**

**SMART. SAFE. PRECISE.**

The versatile standard for horizontal universal balancing machines for rotors up to 50 kg



**THE ART OF ROTATION**

# New Generation of Our Extensive Pasio Range Now Available

A new model... even though its predecessor is still by no means outdated?

Correct! It's because our engineers and designers are continually striving to provide you with best-in-class solutions. The Pasio 50<sup>SC</sup> sets many new standards in technology, design and ergonomics. Experience greater operator usability, improved user interface and easy integration into networks or process control systems!



## Prepared for the Future!

The new Pasio 50<sup>SC</sup> is a future-proof balancing solution, is fully prepared for the digitalized world. It enables flexibility to changing conditions over time by means of:

- ▶ Easy integration into existing production control systems
- ▶ Improved design concept offering simpler safer operation and ergonomic handling
- ▶ Operator guidance offering optimized balancing process



***pasio*<sup>50</sup>**

**+ SafeControl**

### **+ SMART**

- ▶ Easy commissioning - set up, alignment, connection, balancing
- ▶ Easy integration into existing customer networks
- ▶ Low space requirement due to reduced overhangs
- ▶ Automatic indexing for simple and precise angle determination (optional)
- ▶ High uptime due to modern, individual service concepts
- ▶ Wide range of options for special requirements

### **+ SAFE**

- ▶ Servo drive with digital speed selection and monitoring
- ▶ Self-diagnosis for quick fault detection and removal
- ▶ Convenient protective shroud according to ISO 21940-23, Class C (with large window)
- ▶ New circular slide belt drive with very simple and safe operation
- ▶ Two-handed operation (with the protective shroud opened) for indexing into the next correction position (optional)

### **+ PRECISE**

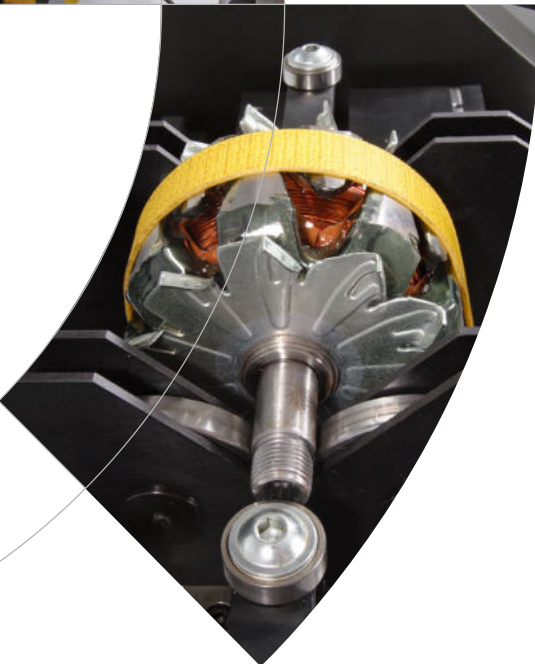
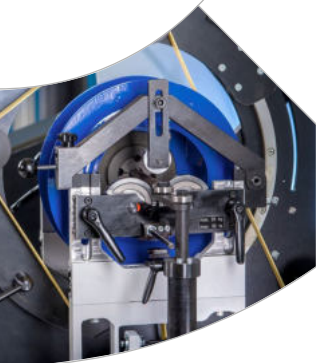
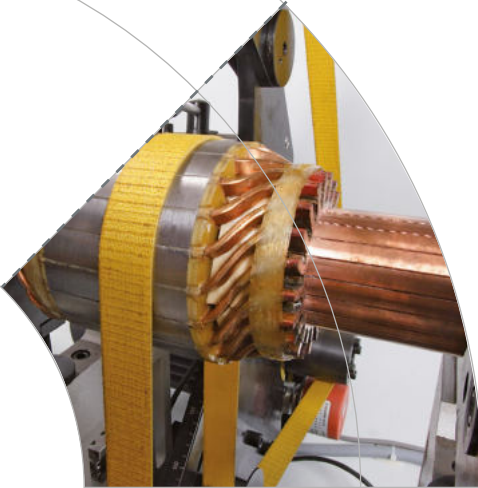
- ▶ CAB 920 and CAB 820 measuring instrumentation offer the highest levels of measuring technology
- ▶ Sophisticated mechanics and precise measuring technology enable residual unbalance of less than 0.5 gmm per plane
- ▶ Very high unbalance reduction ratio

# Pasio 50<sup>SC</sup> – The Most Versatile of Our Balancing Machines

The new Pasio 50<sup>SC</sup> is the second generation of our largest Pasio type. It is designed for rotors up to 50 kg with a maximum rotor diameter of 600 mm. As such, it covers a wide working range of rotors, generally found in production and in maintenance applications.

## BALANCING OF CYLINDRICAL OR DISC-SHAPED ROTORS

Typically, cylindrical rotors with their own bearing journals such as crankshafts, electric armatures, rollers or disc-shaped rotors with auxiliary shafts such as fans or grinding wheels.



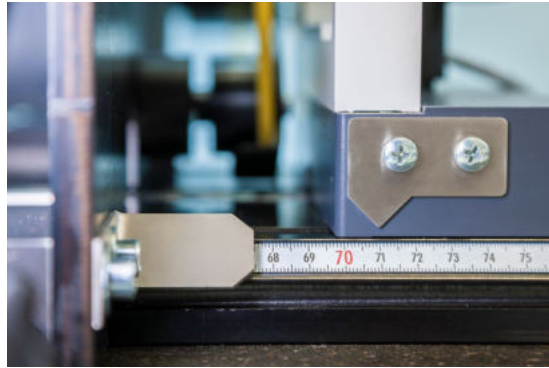
- ▶ For rotors **up to 50 kg**
- ▶ Maximum rotor diameter **600 mm**

# Benefit from the Convenience of Simple Operation

## Safe and Ergonomic

During development of the Pasio 50<sup>SC</sup> we placed particular emphasis on simple and safe operation:

- ▶ Easy opening and closing of the protective shroud.
- ▶ Adjustment of the new circular slide belt drive in a few easy steps with all components within easy reach.
- ▶ Precise balancing of magnetic rotors can also be performed using the optional amagnetic drive (optional).
- ▶ Linear guides and rulers for easy and precise setup.
- ▶ Optimized balancing with our range of optional accessories.



## Intuitive Operation

The measuring instrumentation is also part of this concept: plain text operator guidance and instructions together with the touchscreen operation offer the operator a clear understanding of the balancing process.





# Communication Meshes with Measurement Technology

Our CAB 820 and CAB 920 measuring instrumentation offer, as standard, all common methods for communication and integration into networks – to suit your requirements and safety guidelines. You can upload a changed set of rotor data from your server, view Q statistic on your smartphone, or conveniently create new setup data for balancing machines in your office. You can also utilize our advanced online service with remote maintenance and our comprehensive diagnostic tools. Our up-to-date measuring instrumentation offers you all of this and more.



## CAB 920 SMARTTOUCH

CAB 920 SmartTouch combines optimum precision with easy operation: CAB 920 utilizes an ingeniously simple operating concept, with logical interfaces which are instantly comprehensible. The result is highly convincing: You profit from fast and safe operation with minimum effort, for every conceivable technical rotor variation.

CAB 920: Our flagship measuring instrumentation for easy handling and outstanding results

## CAB 820 Basic Measuring Instrumentation

CAB 820 is our basic measuring instrumentation. It combines top performance with high ease of operation, combined with being outstanding value for money. This measuring instrument is always the right choice if you want to achieve your objectives quickly and with minimal effort at your company.



CAB 820: Basic measuring instrumentation for high precision with a clearly structured operator interface

# Technical Data

## ROTOR DIMENSIONS

Max. rotor weight	50 kg
Max. rotor diameter	600 mm
Journal diameter	9–63 mm
Bearing center distance	50 – 1000 mm
Min. achievable residual balance	0.5 gmm per plane

## MACHINE DATA

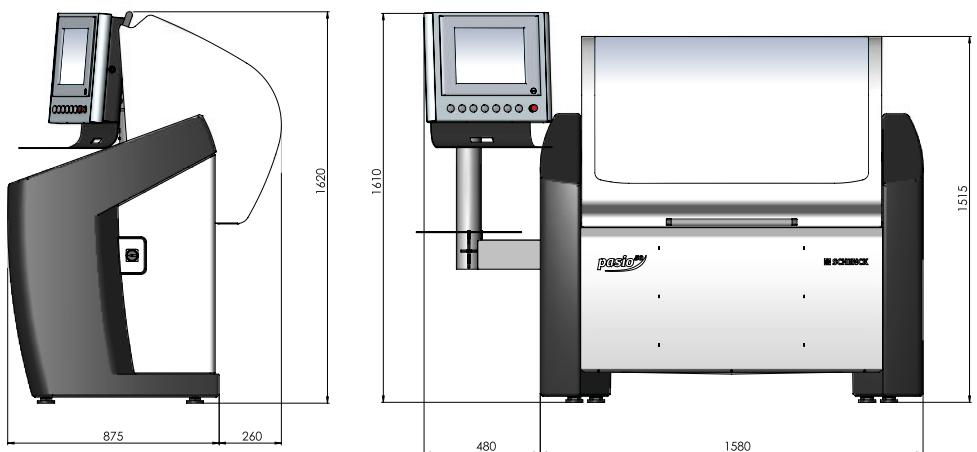
Dimensions	(see drawing below)
Total weight	1100 kg
Power supply	400 V ± 10%, 3 Ph, 50/60 Hz
Driver power	1.1 kW
Protective shroud according to ISO 21940-23 Class C (protection against parts flying off)	
2-color paint finish RAL 7035 (light gray), RAL 7024 (graphite gray)	

## MEASURING INSTRUMENTATION

CAB 820
CAB 920 SmartTouch

## OPTIONS

Automatic indexing to the correction position
Color printer for printing reports
Roller carriages for journal diameters from 63 to 100 mm
Negative load bearing with roller
Belt drive made of amagnetic material
Underslung belt drive, pneumatically tensioned
Working light (LED)



## **+** NOW NEW

The Pasio 50<sup>SC</sup> offers maximum safety during operation, through numerous improvements in design, function and electronic control.

- ▶ New product design with reduced overhangs
- ▶ Easiest possible integration into existing systems
- ▶ Self-explanatory user interface.

 **SCHENCK**

SCHENCK RoTec GmbH  
Landwehrstraße 55  
64293 Darmstadt, Germany  
T +49 6151 32-2311  
F +49 6151 32-2315  
rotec@schenck.net  
www.schenck-rotec.de

The  Group